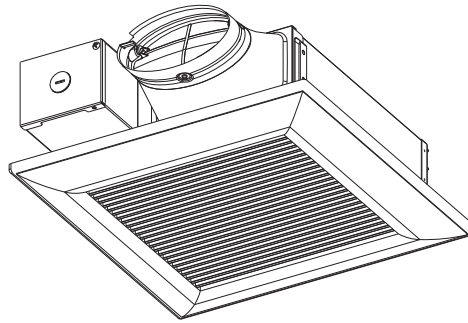


Service Manual

Ventilating Fan
(North America Market)

FV-0510VS1



| Model No. | Air direction | Voltage (V) | Frequency (Hz) | Duct diameter (inches) | Air volume at 0.1" WG (CFM) | Noise (sones) | Speed (rpm) | Power (W) | Weight lb.(kg) |
|------------|---------------|-------------|----------------|------------------------|-----------------------------|---------------|-------------|-----------|----------------|
| FV-0510VS1 | Exhaust | 120 | 60 | 4 | 50 | <0.3 | 708 | 4.4 | 6.8 (3.1) |
| | | | | | 80 | 0.4 | 797 | 7.2 | |
| | | | | | 100 | 0.9 | 902 | 11.1 | |

HVI Certified performance based on HVI Procedures 915, 916, and 920.

⚠ WARNING

This service information is designed for experienced repair technicians only and is not designed for use by the general public. It does not contain warnings or cautions to advise non-technical individuals of potential dangers in attempting to service a product. Products powered by electricity should be serviced or repaired only by experienced professional technicians. Any attempt to service or repair the product or products dealt with in this service information by anyone else could result in serious injury or death.

IMPORTANT SAFETY NOTICE

There are special components used in this equipment which are important for safety. These parts are marked by ⚠ in the Schematic Diagrams, Exploded Views and Replacement Parts List. It is essential that these critical parts should be replaced with manufacturer's specified parts to prevent shock, fire or other hazards. Do not modify the original design without permission of manufacture.

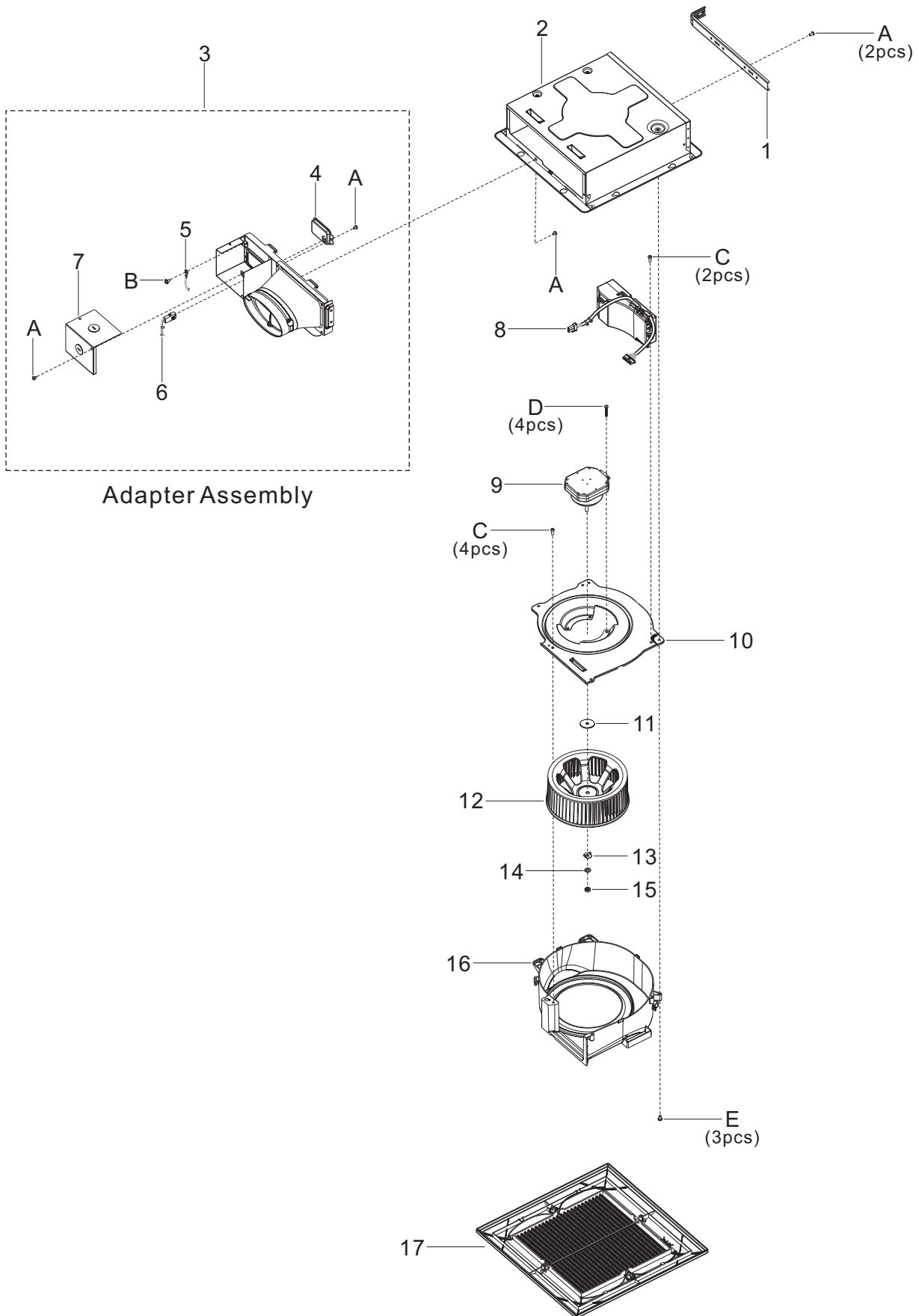
We suggest to handle such parts after the static electricity prevention.
It is forbidden to touch the PCB parts by bare hands during the repairing process.

| CONTENTS | PAGE |
|-----------------------------|------|
| 1.Parts Identification----- | 1~2 |
| 2.Wiring Diagram----- | 3 |
| 3.Parts List----- | 4~5 |

1. Parts Identification

FV-0510VS1

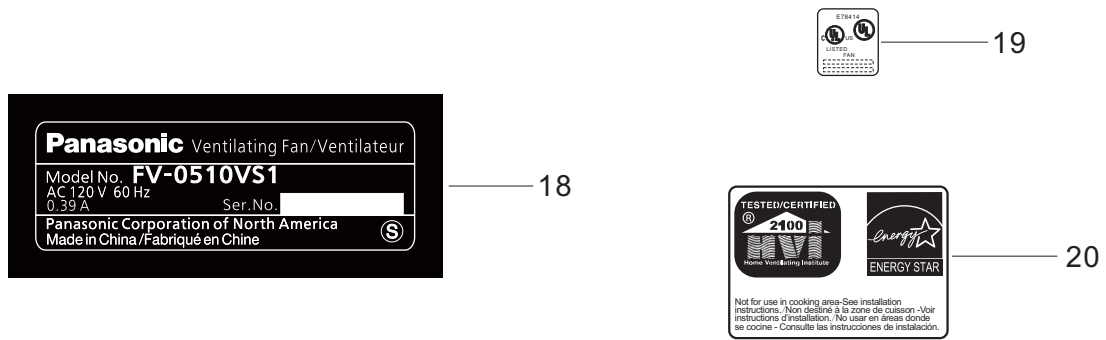
Main Body Section



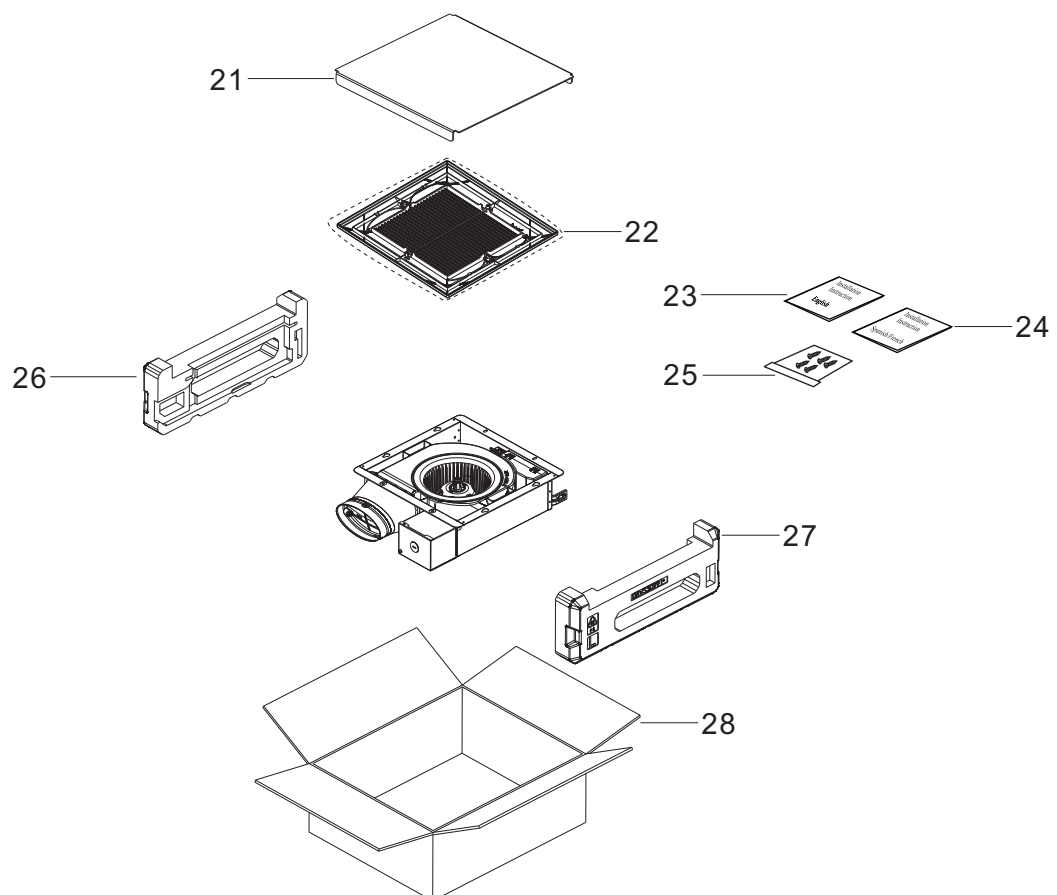
1. Parts Identification

FV-0510VS1

Main Labels

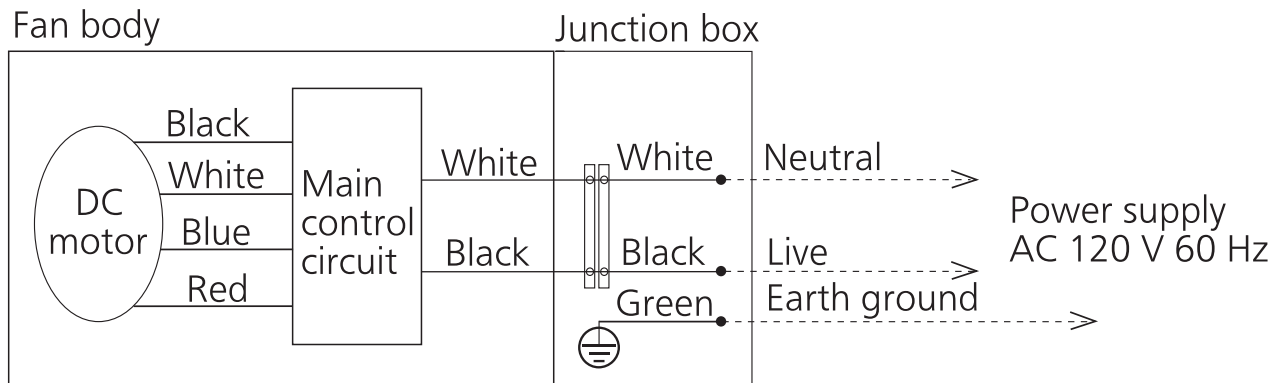


Packing Section



2. Wiring Diagram

FV-0510VS1



3. Parts List

FV-0510VS1

Main Body Section

| No. | Part No. | Part Name | Q'ty | Remark |
|-----|--------------|--------------------|------|---|
| 1 | FFV5710025S | Suspension Bracket | 1 | |
| 2 | FFV1600159S | Frame Assy | 1 | |
| 3 | FFV0000166S | Adapter Assy | 1 | |
| 4 | FFV0900052S | Connector Plate | 1 | |
| 5 | FFV3450010S | Earth Lead Wire | 1 |  |
| 6 | FFV0900072S | Connector Assy (V) | 1 |  |
| 7 | FFV2800020S | Junction Cover | 1 | |
| 8 | FFV4700070S | PCB Assy Unit | 1 |  |
| 9 | FFV3700347S | Motor Assy | 1 |  |
| 10 | FFV3700348S | Motor Support Unit | 1 | |
| 11 | FFV0400127S | Blade Plate | 1 | |
| 12 | FFV0400128S | Blade | 1 | |
| 13 | FFV0400113S | Blade Fix Ring | 1 | |
| 14 | FFE06090801S | Undee Washer | 1 | |
| 15 | FFV7020024S | Hexagon Nut | 1 | |
| 16 | FFV1610080S | Casing Unit | 1 | |
| 17 | FFV3400146S | Louver Assy | 1 | |
| A | FFV7000108S | Truss Tap Screw | 5 | |
| B | FFV7000227S | Earth Screw Assy | 1 | Include Spring Washer  |
| C | FFV7000089S | Truss Tap Screw | 6 | |
| D | FFV7000163S | Pan Tap Screw | 4 | |
| E | FFV7000202S | Bind Tap Screw | 3 | |

Main Labels

| No. | Part No. | Part Name | Q'ty | Remark |
|-----|-------------|-----------------|------|---------------------|
| 18 | FFV4020865S | Name Plate | 1 | Stuck On Casing |
| 19 | FFV2260003S | UL Mark | 1 | Stuck On Frame Assy |
| 20 | FFV0810011S | Caution Label 1 | 1 | Stuck On Frame Assy |

3. Parts List

FV-0510VS1

Packing Section

| No. | Part No. | Part Name | Q'ty | Remark |
|------|-------------|---------------------------|------|---------------------------|
| 21 | FFV4710381S | Louver Case Assy | 1 | |
| 22 | FFV4650016S | Poly Cover | 1 | |
| 23 | FFV2540204S | Installation Instructions | 1 | English,For USA/CA Market |
| 24 | FFV2540205S | Installation Instructions | 1 | Spanish,For USA Market |
| (24) | FFV2540206S | Installation Instructions | 1 | French,For CA Market |
| 25 | FFV0010231S | Accessory A | 1 | |
| 26 | FFV4710369S | Right Pad | 1 | |
| 27 | FFV4710370S | Left Pad | 1 | |
| 28 | FFV9001231S | Packing Case Assy | 1 | |